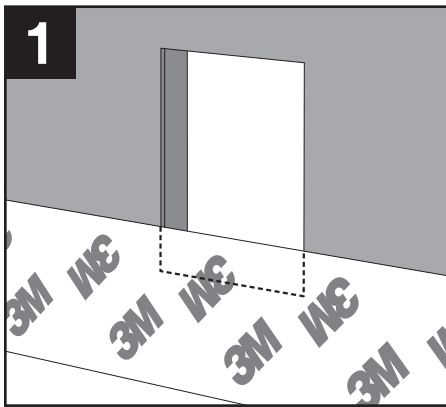


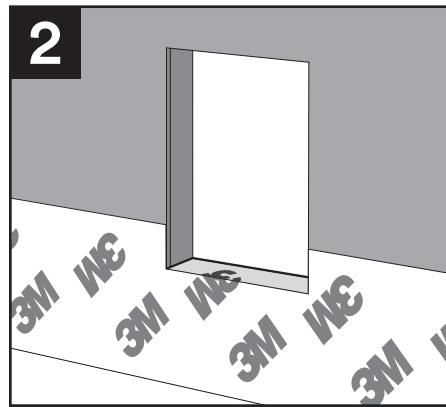


Flashing Window Openings with Wall Membrane

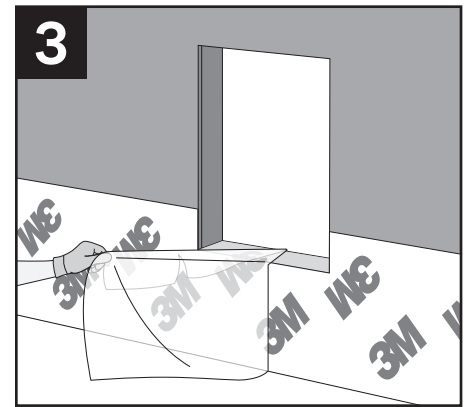
This guide details an acceptable method of flashing a window opening utilizing the wall membrane as the flashing material. This method is acceptable for both 3M™ Air and Vapor Barrier 3015NP and 3M™ Air Barrier with Permeable Backing 3015VP wall systems.



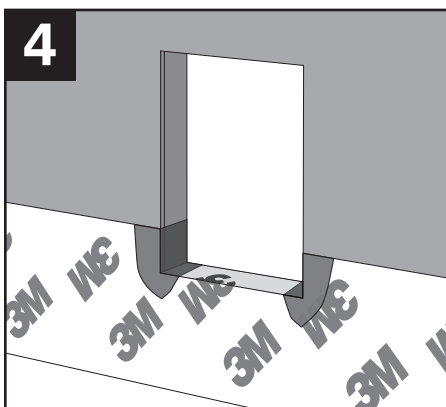
1 Apply a horizontal row of wall membrane, keeping it the same distance above the window sill as the depth of the window frame.



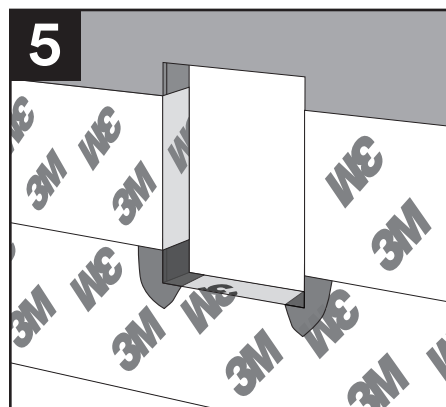
2 Cut the wall membrane flush on either side of the window opening, then fold over to cover the sill with the membrane.



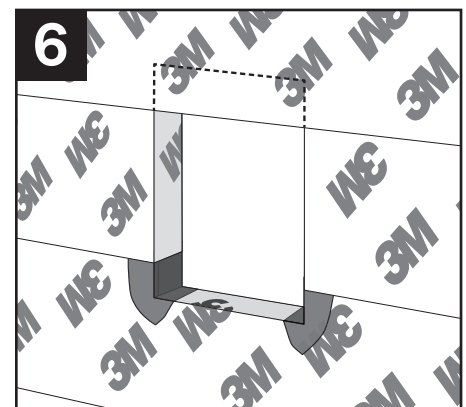
3 If you are using 3M™ Air Barrier with Permeable Backing 3015VP on the walls, be sure to remove the liner before applying your next layer of tape.



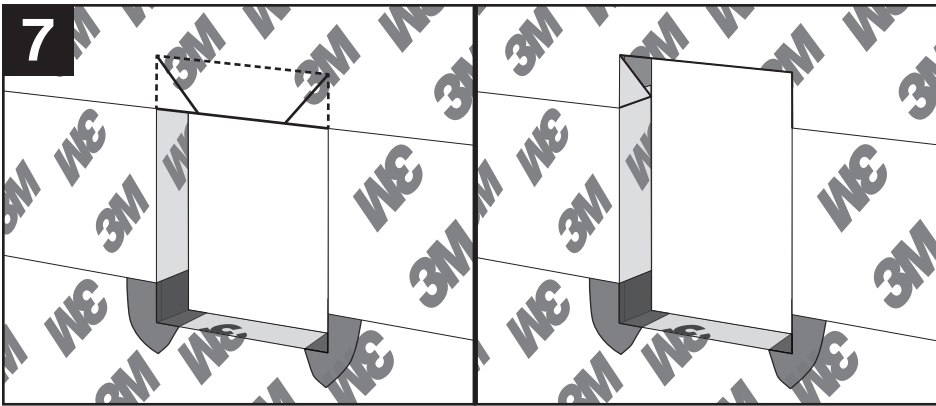
4 Apply a piece of 3M™ Ultra Conformable Flashing Tape 3015UC flush with top edge of the wall membrane, extending at least 2" onto the sill.



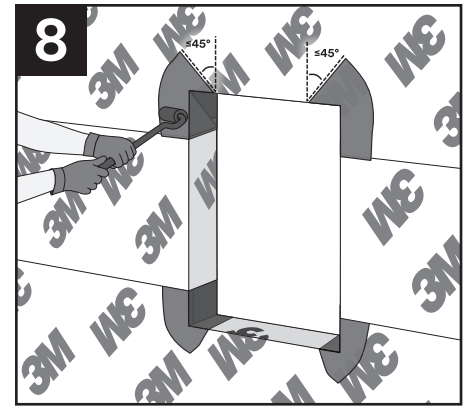
5 Apply the next row of wall membrane, wrapping around the window frame.



6 Apply the next row of wall membrane covering the top of the window opening.



7
Cut the wall membrane at a 45° angle from each of the top window corners, then fold the wall membrane in to cover the window frame.



8
Apply a piece of 3M™ Ultra Conformable Flashing Tape 3015UC to each of the top corners, ensuring at least a 2" overlap. The exposed edge needs to be at least a 45° angle, creating an acceptable negative lap or apply sealant to the seam.

3M™ Air Barrier Products Installation Best Practices

3M™ Air Barrier Products can be applied to a wide variety of sheathing substrates, typically without priming. Substrate condition is crucial to the adhesion performance of any adhesive membrane.

Substrate Surface Requirements

- Substrate surfaces must be free of grease, oil, un-bonded paint, corrosion or other substances that would adversely affect the adhesive bond between the membrane and substrate
- Substrate surface must be dry to the touch for optimum performance
- Ambient temperature must be between 0°F and 150°F (-18°C and 66°C)
- Rolls must be stored at a temperature between 0°F and 150°F (-18°C and 66°C) to ensure initial bond performance

Surface Preparation

- Fill gaps and cracks exceeding 1/4" but less than 1/2" width with 3M™ Polyurethane Adhesive Sealant 540 or similar, and tool the surface flush and smooth
- Fill gaps exceeding 1/2" width with closed cell foam backer rod, seal with 3M™ Polyurethane Adhesive Sealant 540 or similar, and tool the surface flush and smooth
- Concrete substrates shall have fins ground flush and void areas filled
- Masonry substrates must have mortar joints tooled or struck flush

Substrate Specific Guidelines

- Exterior gypsum sheathing shall have moisture content below 19%
- Plywood sheathing shall have moisture content below 16%

Learn about 3M's advanced technologies for controlling airflow and optimizing the indoor climate at 3M.com/airbarrier or contact your 3M representative at **866-513-4026**.



3M Industrial Adhesives and Tapes Division
3M Center, Building 225-3S-06
St. Paul, MN 55144-1000

Phone 866-513-4026
Web 3M.com/airbarrier

Technical Information: The technical information, guidance, and other statements contained in this document or otherwise provided by 3M are based upon records, tests, or experience that 3M believes to be reliable, but the accuracy, completeness, and representative nature of such information is not guaranteed. Such information is intended for people with knowledge and technical skills sufficient to assess and apply their own informed judgment to the information. No license under any 3M or third party intellectual property rights is granted or implied with this information. **Product Selection and Use:** Many factors beyond 3M's control and uniquely within user's knowledge and control can affect the use and performance of a 3M product in a particular application. As a result, customer is solely responsible for evaluating the product and determining whether it is appropriate and suitable for customer's application, including conducting a workplace hazard assessment and reviewing all applicable regulations and standards (e.g., OSHA, ANSI, etc.). Failure to properly evaluate, select, and use a 3M product and appropriate safety products, or to meet all applicable safety regulations, may result in injury, sickness, death, and/or harm to property. **Warranty, Limited Remedy, and Disclaimer:** Unless a different warranty is specifically stated on the applicable 3M product packaging or product literature (in which case such warranty governs), 3M warrants that each 3M product meets the applicable 3M product specification at the time 3M ships the product. 3M MAKES NO OTHER WARRANTIES OR CONDITIONS, EXPRESS OR IMPLIED, INCLUDING, BUT NOT LIMITED TO, ANY IMPLIED WARRANTY OR CONDITION OF MERCHANTABILITY, FITNESS FOR A PARTICULAR PURPOSE, OR ARISING OUT OF A COURSE OF DEALING, CUSTOM, OR USAGE OF TRADE. If a 3M product does not conform to this warranty, then the sole and exclusive remedy is, at 3M's option, replacement of the 3M product or refund of the purchase price. **Limitation of Liability:** Except for the limited remedy stated above, and except to the extent prohibited by law, 3M will not be liable for any loss or damage arising from or related to the 3M product, whether direct, indirect, special, incidental, or consequential (including, but not limited to, lost profits or business opportunity), regardless of the legal or equitable theory asserted, including, but not limited to, warranty, contract, negligence, or strict liability.

3M is a trademark of 3M Company. © 3M 2021. All rights reserved.