

Filtration Fact:  
**Fewer filters  
means  
less waste.**

Quality water is good for business and good for your equipment—and it's easy to supply it to all of your water-reliant foodservice equipment with just one system from 3M.



# One system. Many possibilities.

Save on space and create less waste with a multi-equipment water filtration system.

With a multi-equipment system from 3M, you can centralize and simplify your water filtration with one space-saving unit. These systems are easy to maintain and can be expanded as your business grows. The filters last up to 12 months, are easy to change and require no activations steps.

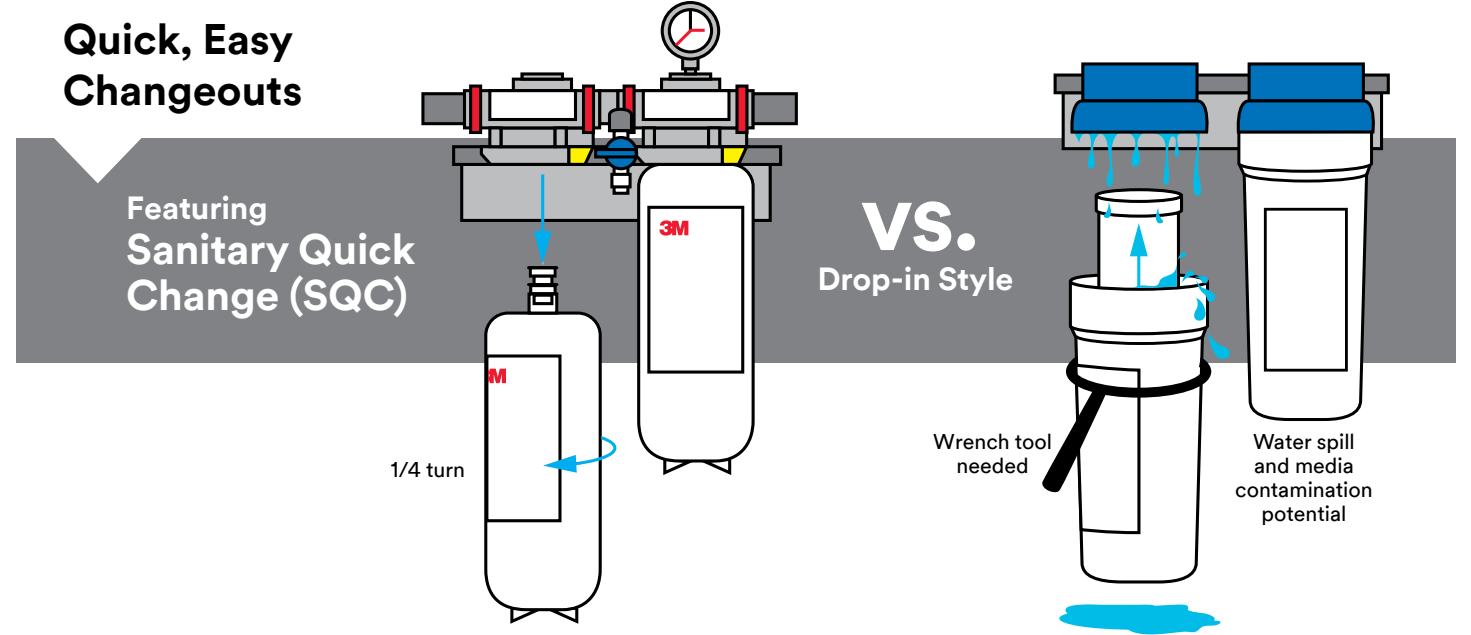
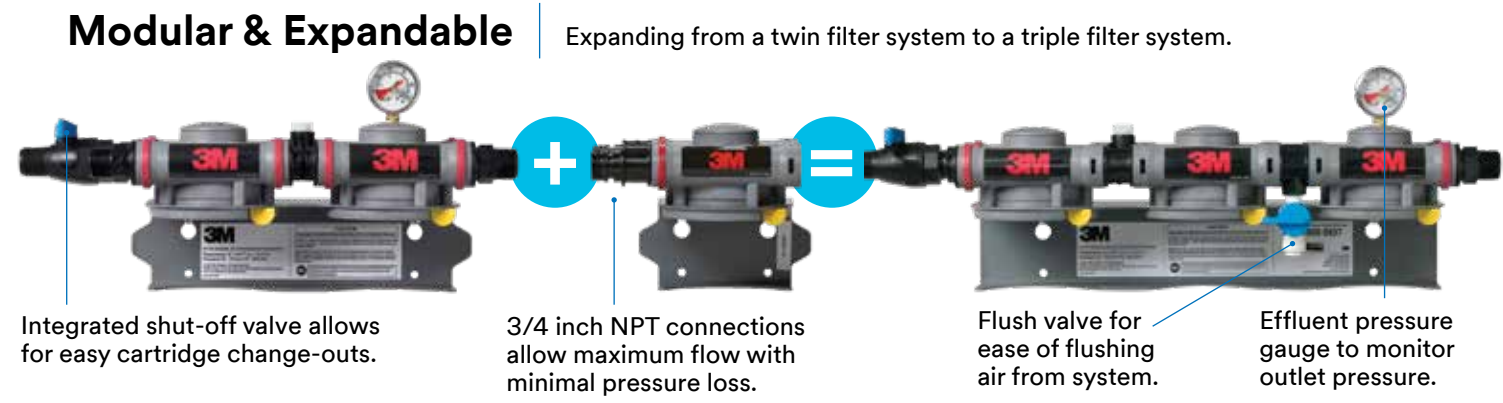
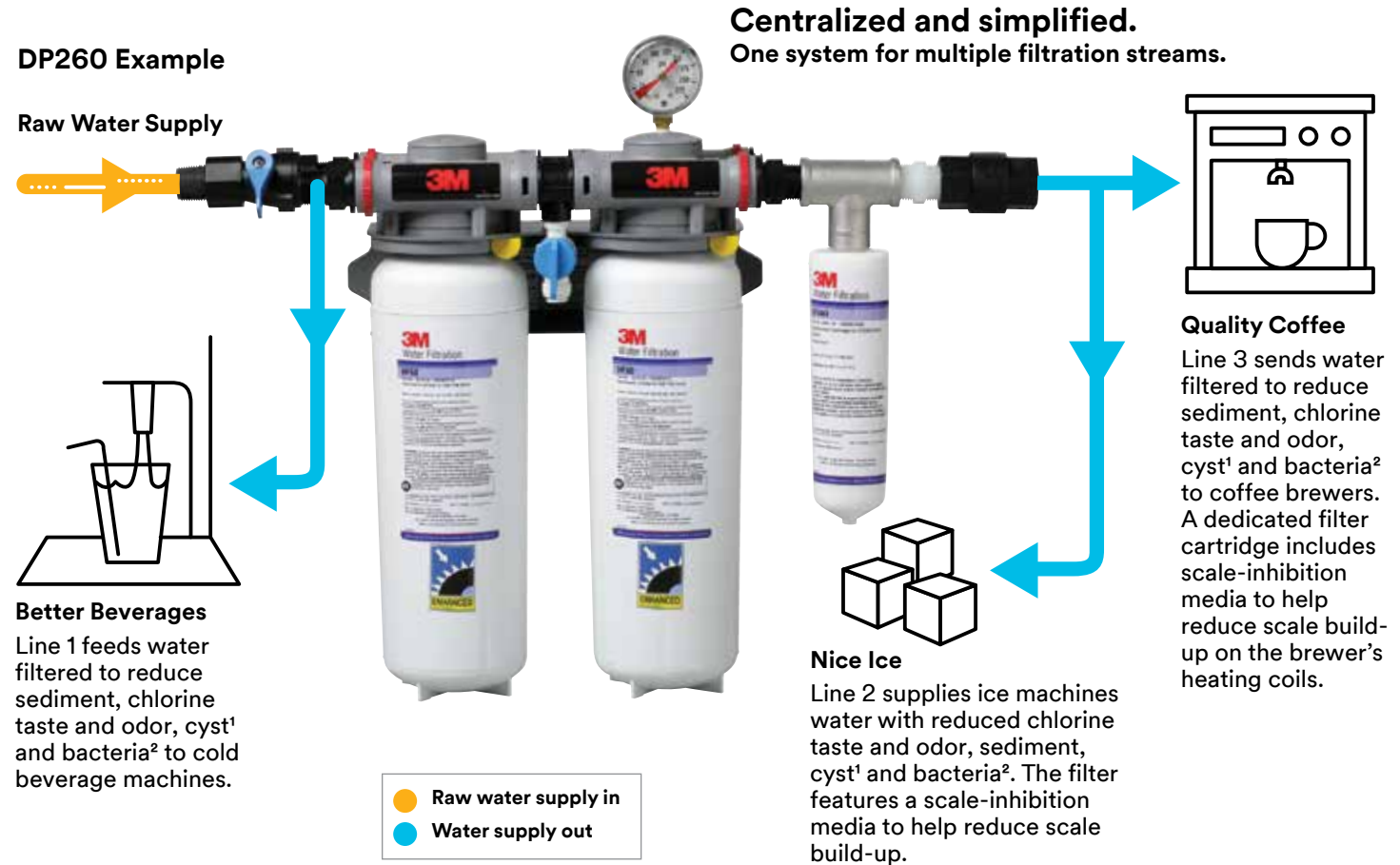
Add capacity while you save:  
**Space, Time and Money**

### The Challenge:

Providing filtered water to a variety of equipment can require different water characteristics.

### The Solution:

3M's Dual Port and Dual Flow systems are engineered to provide high flow rates, high capacities and the benefits of individual equipment filtration in a single compact package.



### Different Series for Varying Water Quality Needs

- |  |  |   |
|--|--|---|
| <p><b>Dual Port Series (DP)</b></p> <ul style="list-style-type: none"> <li>• Single inlet and dual outlet</li> <li>• Both outlets reduce chlorine</li> </ul> | <p><b>Dual Flow Series (DF)</b></p> <ul style="list-style-type: none"> <li>• Single inlet and dual outlet</li> <li>• One outlet reduces chlorine</li> <li>• Other outlet leaves chlorine in for ice machine</li> </ul> | <p><b>Dual Input Dual Flow Series (DIDF)</b></p> <ul style="list-style-type: none"> <li>• Two inlets, two outlets</li> <li>• One outlet reduces chlorine</li> <li>• Other outlet leaves chlorine in for ice machines</li> <li>• Used when different pressure levels needed per application</li> </ul> |
|--|--|---|

<sup>1</sup> Certified to NSF Standard 53 for Cyst Reduction based on testing using *Cryptosporidium parvum* oocysts.  
<sup>2</sup> As demonstrated with 99.99% reduction of surrogate organism *E. coli* (ATCC 11229) and *P. fluorescens* (ATCC 49642) in manufacturer's lab test.

# Multi-Equipment Water Filtration Systems

Provide quality water for different applications like ice, beverage, coffee, and tea with these water filtration products from 3M.



Dual Port Series							
System	System Part No.	Replacement Cartridge	Replacement Part No.	Flow Rate (GPM)	Capacity (Gals)	Micron Rating	Reduction Claims
DP190	5624301	CARTPAK DP190	5613801	5.0	54,000	0.2	Bacteria <sup>2</sup> , particulate, chlorine taste and odor, cyst <sup>1</sup> , scale
DP265-CL	5625502	CARTPAK DP265-CL	5613827	2	30,000	5	Particulate, chlorine taste and odor, chloramines, scale
DP260	5625501	CARTPAK DP260	5613814	6.68	70,000	0.2	Bacteria <sup>2</sup> , particulate, chlorine taste and odor, cyst <sup>1</sup> , scale
DP290	5624201	CARTPAK DP290	5613802	10.0	108,000	0.2	Bacteria <sup>2</sup> , particulate, chlorine taste and odor, cyst <sup>1</sup> , scale
DP295-CL	5624204	CARTPAK DP295-CL	5613818	3 Chloramines 5 Chlorine	60,000	5	Particulate, chloramines, chlorine taste and odor, scale
DP390	5624102	CARTPAK DP390	5613803	15.0	162,000	0.2	Bacteria <sup>2</sup> , particulate, chlorine taste and odor, cyst <sup>1</sup> , scale
Dual Flow Series*							
System	System Part No.	Replacement Cartridge	Replacement Part No.	Flow Rate (GPM)***	Capacity (Gals)****	Micron Rating	Reduction Claims
DIDF260-CL**	5627601	CARTPAK DIDF260-CL	5613820	4.4	9,400	0.2	Bacteria <sup>2</sup> , particulate, chlorine taste and odor, cyst <sup>1</sup> , chloramines, scale
DIDF265-CL**	5627602	CARTPAK DIDF265-CL	5613826	2	30,000	5	Particulate, chlorine taste and odor, chloramines, scale
DF260-CL	5627001	CARTPAK DF260-CL	5613815	4.4	9,400	0.2	Bacteria <sup>2</sup> , particulate, chlorine taste and odor, cyst <sup>1</sup> , chloramines, scale
DF265-CL-CC	5627002	CARTPAK DF265-CL-CC	5613825	2	30,000	5	Particulate, chlorine taste and odor, chloramines, scale
DF290-CL	5623601	CARTPAK DF290-CL	5613807	2.66	25,000	0.2	Bacteria <sup>2</sup> , particulate, chlorine taste and odor, cyst <sup>1</sup> , chloramines, scale

\*Select a Dual Flow Series system if you would like to keep chlorine and/or chloramines in the water feeding the ice machine.

\*\*Separate inlet for ice and beverage flow.

\*\*\*Flow rate shown in the table is for beverage/coffee machines outlet. Ice machine flow rate for all Dual Flow Series products listed is 5 gpm.

\*\*\*\*Capacity shown in the table is for beverage/coffee machines outlet. Ice machine capacity is not applicable for all Dual Flow Series products listed.

<sup>1</sup> Certified to NSF Standard 53 for Cyst Reduction based on testing using *Cryptosporidium parvum* oocysts.

<sup>2</sup> As demonstrated with 99.99% reduction of surrogate organism *E. coli* (ATCC 11229) and *P. fluorescens* (ATCC 49642) in manufacturer's lab test.

**Product Selection and Use:** Many factors beyond 3M's control and uniquely within user's knowledge and control can affect the use and performance of a 3M product in a particular application. As a result, customer is solely responsible for evaluating the product and determining whether it is appropriate and suitable for customer's application, including conducting a workplace hazard assessment and reviewing all applicable regulations and standards (e.g., OSHA, ANSI, etc.). Failure to properly evaluate, select, and use a 3M product and appropriate safety products, or to meet all applicable safety regulations, may result in injury, sickness, death, and/or harm to property.

**Warranty, Limited Remedy and Disclaimer:** Many factors beyond 3M's control and uniquely within user's knowledge and control can affect the use and performance of a 3M product in a particular application. User is solely responsible for evaluating the 3M product and determining whether it is fit for a particular purpose and suitable for user's method of application. Unless an additional warranty is specifically stated on the applicable 3M product packaging or product literature, 3M warrants that each 3M product meets the applicable 3M product specification at the time 3M ships the product. 3M MAKES NO OTHER WARRANTIES OR CONDITIONS, EXPRESS OR IMPLIED, INCLUDING, BUT NOT LIMITED TO, ANY IMPLIED WARRANTY OR CONDITION OF MERCHANTABILITY OR FITNESS FOR A PARTICULAR PURPOSE OR ANY IMPLIED WARRANTY OR CONDITION ARISING OUT OF A COURSE OF DEALING, CUSTOM OR USAGE OF TRADE. If the 3M product does not conform to this warranty, then the sole and exclusive remedy is, at 3M's option, replacement of the 3M product or refund of the purchase price.

**Limitation of Liability:** Except where prohibited by law, 3M will not be liable for any loss or damage arising from the 3M product, whether direct, indirect, special, incidental or consequential, regardless of the legal theory asserted, including warranty, contract, negligence or strict liability.



Find your multi-equipment solution at [3MFoodService.com](http://3MFoodService.com)

3M Purification Inc.

3M Separation and Purification Sciences Division  
400 Research Parkway  
Meriden, CT 06450

Phone 1-866-990-9785  
WW 1-203-237-5541  
Web [3Mfoodservice.com](http://3Mfoodservice.com)

3M is a trademark of 3M. © 3M 2019. All rights reserved.  
Please recycle. Printed in USA. 70-2016-0034-6