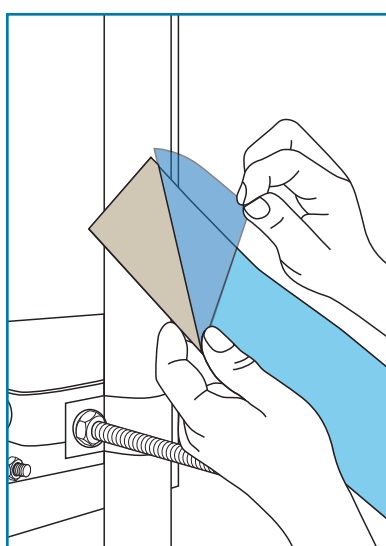


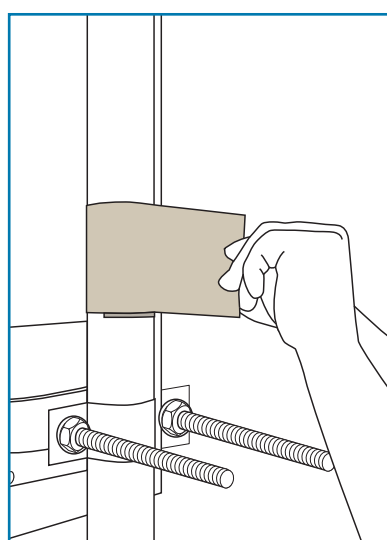
Installation Guide for 3M™ PIM Reduction Kit 1000

Installation Procedure

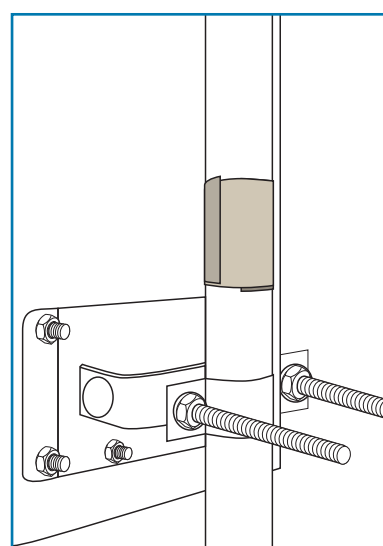
Ensure surface is clean, dry and free of debris or anything that may prohibit intimate contact between the surface, absorber and tapes.



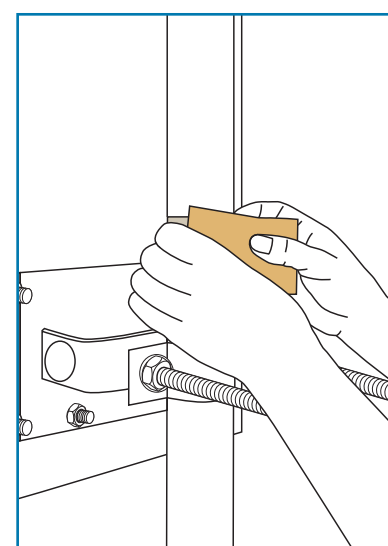
1 Remove liner for the 3M™ External PIM Absorber 1000



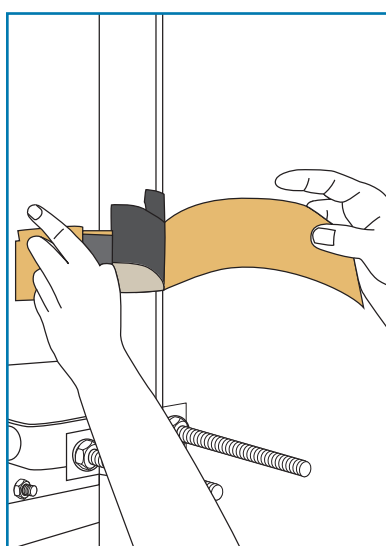
2 Wrap the absorber around the surface



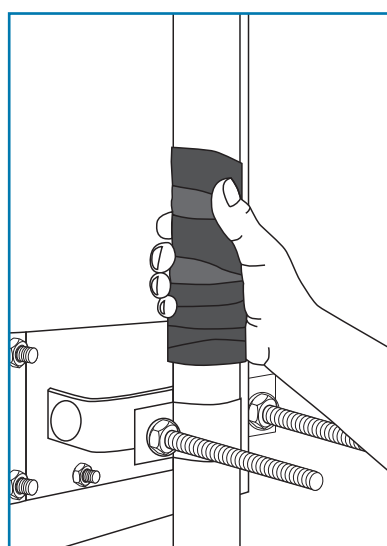
3 Overlap the extra material



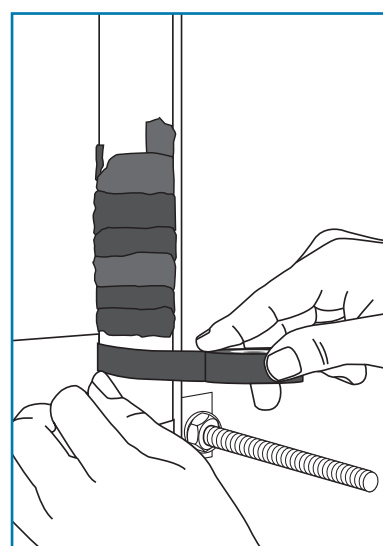
4 Apply 3M™ Butyl Mastic Tape 2212 1" beyond the absorber



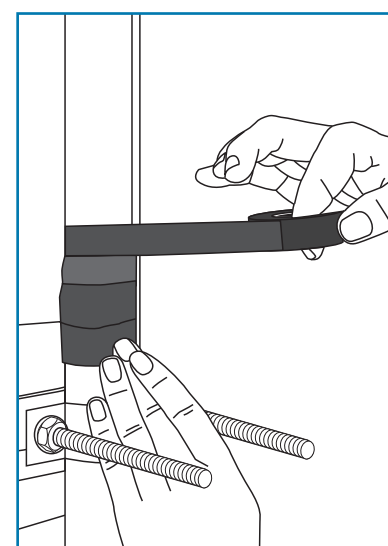
5 Wrap the 3M tape 2212 with minimal stretch



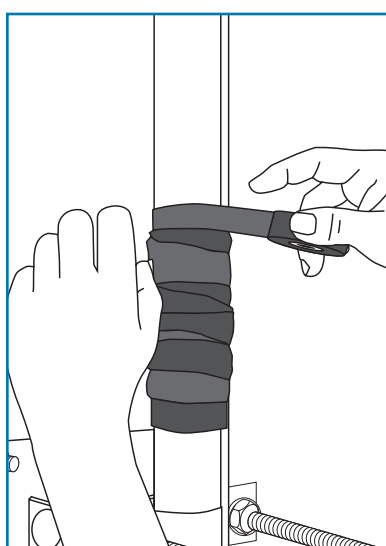
6 Compress the tape by hand



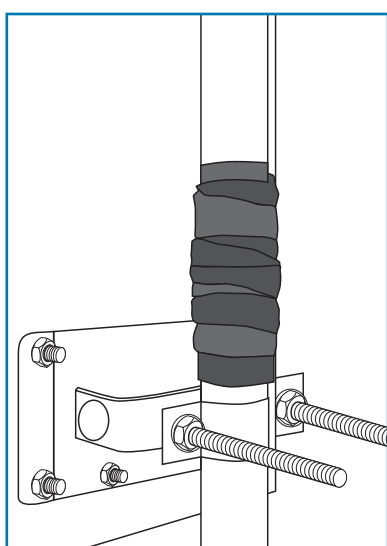
7 Apply Scotch® Super 33+™ Vinyl Electrical Tape 1" beyond the 3M Mastic tape 2212



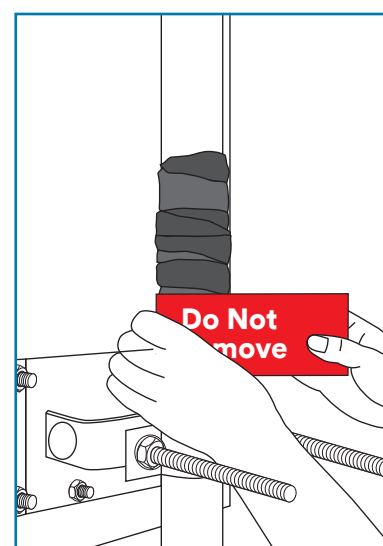
8 The final wrap of the Super 33+ tape should be wrapped from bottom to top, creating a shingling effect which will help prevent water from pooling.



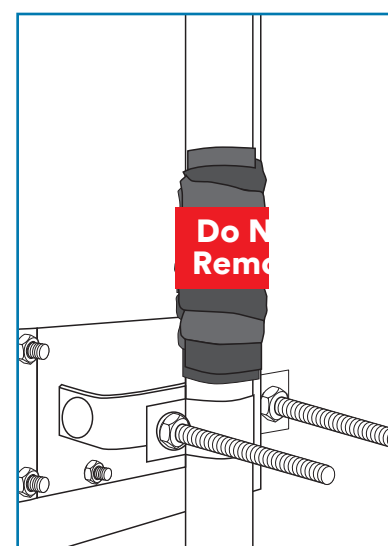
9 Minimize tension near the end to prevent flapping



10 Installation is complete



11 Apply "Do Not Remove" label around the previously installed tapes and place additional labels as desired



Regulatory: For regulatory information about this product, contact your 3M representative.

Technical Information: The technical information, recommendations and other statements contained in this document are based upon tests or experience that 3M believes are reliable, but the accuracy or completeness of such information is not guaranteed.

Product Use: Many factors beyond 3M's control and uniquely within user's control can affect the use and performance of a 3M product in a particular application. Given the variety of factors that can affect the use and performance of a 3M product, user is solely responsible for evaluating the 3M product and determining whether it is fit for a particular purpose and suitable for user's method of application.

Warranty, Limited Remedy, and Disclaimer: Unless an additional warranty is specifically stated on the applicable 3M product packaging or product literature, 3M warrants that each 3M product meets the applicable 3M product specification at the time 3M ships the product. **3M MAKES NO OTHER WARRANTIES OR CONDITIONS, EXPRESS OR IMPLIED, INCLUDING, BUT NOT LIMITED TO, ANY IMPLIED WARRANTY OR CONDITION OF MERCHANTABILITY OR FITNESS FOR A PARTICULAR PURPOSE OR ANY IMPLIED WARRANTY OR CONDITION ARISING OUT OF A COURSE OF DEALING, CUSTOM OR USAGE OR TRADE.** If the 3M product does not conform to this warranty, then the sole and exclusive remedy is, at 3M's option, replacement of the 3M product or refund of the purchase price.

Limitation of Liability: Except where prohibited by law, 3M will not be liable for any loss or damage arising from the 3M product, whether direct, indirect, special, incidental or consequential, regardless of the legal theory asserted, including warranty, contract, negligence or strict liability.



Electronics Materials Solutions Division
3M Center, Building 224-3N-11
St. Paul, MN 55144-1000 USA

Phone 1-800-251-8634
Web www.3M.com/PIMreduction

3M, Scotch and Super 33+ are trademarks of 3M.
Used under license by 3M subsidiaries and affiliates.
Please recycle. Printed in USA.
©3M 2021. All rights reserved.
Issued: 7/2021 16785HB
60-5005-0305-1